

Haugen

Tree Shears

877-580-6218

Think Safety

Think Quality

Think Haugen

Tree Shear

- Designed to shear trees up to 12 inch in diameter
- 2 cutting positions
- 5 x 12 inch industrial cylinder creates 29 ton of cutting force at 2500 psi
- 1 inch thick hardened t1 steel cutting blade & construction



Tree Shears Vertical Position

- Allows for easy removal or shearing to length for loading
- Easily trim and cut limbs for pruning



Marv Haugen Enterprises Inc.

P.O. Box 868 • Casselton, ND 58012 • Phone: 701-347-4827 • Fax: 701-347-4830
Website: www.equipitnow.com • E-mail: haugen@equipitnow.com

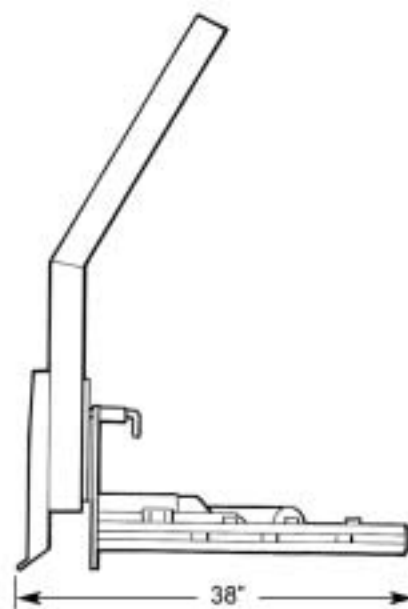
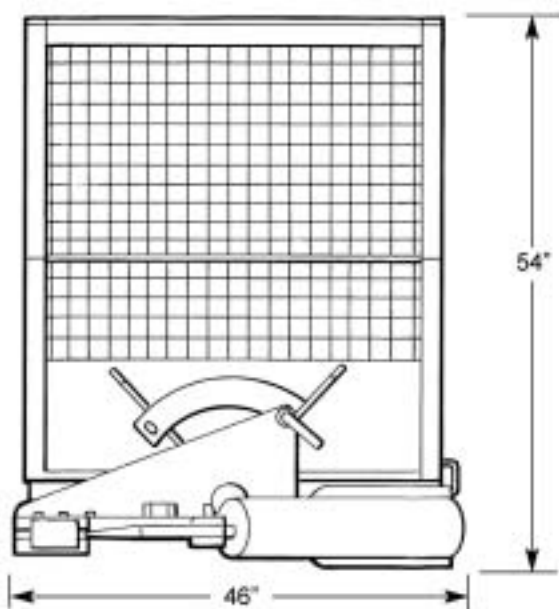
Tree Shears

Specifications

Dimensions	
Height	54"
Width	46"
Depth	38"
Maximum Cutting Capacity	12"
Weight of Attachment	820 lb
Cylinder Specifications	
Bore	5"
Stroke	12"
Rod Diameter	2.5"

Options
Shearing Horizontal / Vertical

Tree Shears Dimensions



- Designed to be used on skid steer loaders with 1300 lb or more lifting capacity.
- Specifications and designs are subject to change without notice.

Haugen

Marv Haugen Enterprises
 602 1st Street N
 Casselton, ND 58012
Toll Free 877-580-6218
 Phone: 701-347-4827 Fax: 701-347-4830